

1 2 3 4 5 6

A

B

C

D

E

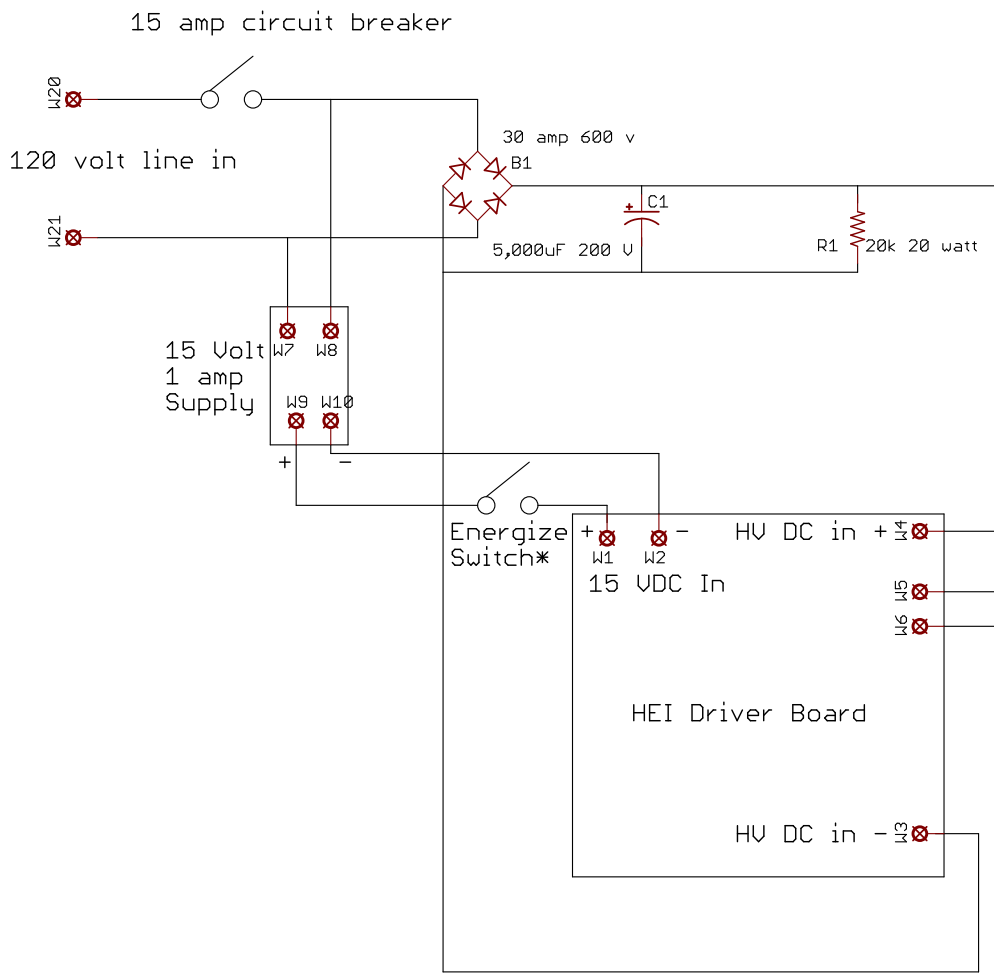
A

B

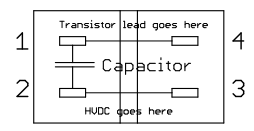
C

D

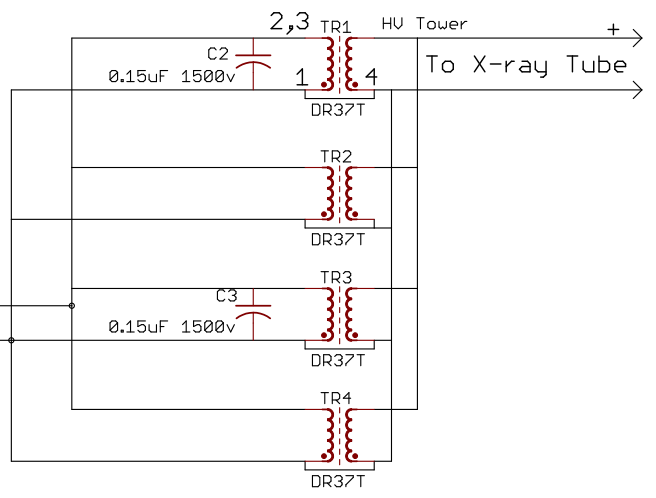
E



HEI Coil Terminal Arrangement  
 1 & 4 are internally connected  
 2 & 3 are internally connected



Coil Connector



\* For X-ray work this should be a key switch

HEI Driver Board External Connections	
TITLE: External_connection	
Document Number: (c) 2014 John DeArmond Some Rights Reserved	REV: 1.00
Date: 2/25/14 9:12 PM	Sheet: 1/1